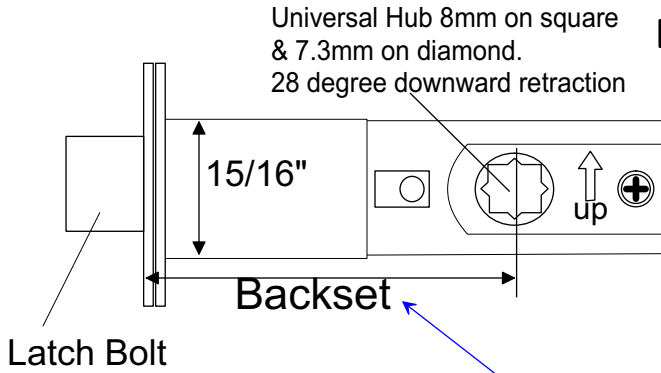


# Baton Security Products, Inc

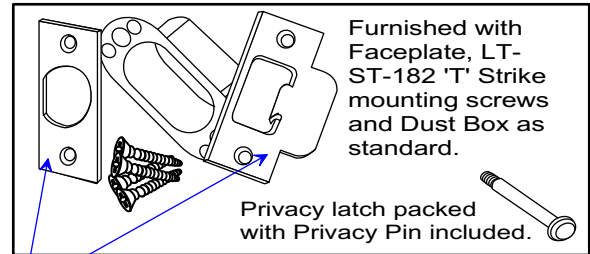
11521 Salinaz Avenue,  
Garden Grove, California 92843, USA  
Tel:(714) 590 6969 Fax:(714) 590 6960  
Email address : Sales@batonlockusa.com

**baton**<sup>®</sup>  
Security Products  
www.batonlockusa.com

<b>Form QF-LT 78C</b>	<input type="checkbox"/> Quotation No: <input type="checkbox"/> Order No:	<b>Custom backset Lever Latch</b>
-----------------------	--	-----------------------------------



We need special hub \_\_\_\_mm  
\_\_\_\_ on diamond, \_\_\_\_ on square



	Latch function	Finish Latch Bolt	Backset	Finish Face plate/Strike	Quantity	Price / net per each	Amount
1	<input type="checkbox"/> LT78C -LS8_ Lever/Lever Passage latch <input type="checkbox"/> LT78C -LV8_ Lever/Lever Privacy latch	<input type="checkbox"/> B Brass <input type="checkbox"/> N Nickel					
2	<input type="checkbox"/> LT78C -LS8_ Lever/Lever Passage latch <input type="checkbox"/> LT78C -LV8_ Lever/Lever Privacy latch	<input type="checkbox"/> B Brass <input type="checkbox"/> N Nickel					
3	<input type="checkbox"/> LT78C -LS8_ Lever/Lever Passage latch <input type="checkbox"/> LT78C -LV8_ Lever/Lever Privacy latch	<input type="checkbox"/> B Brass <input type="checkbox"/> N Nickel					
4	<input type="checkbox"/> LT78C -LS8_ Lever/Lever Passage latch <input type="checkbox"/> LT78C -LV8_ Lever/Lever Privacy latch	<input type="checkbox"/> B Brass <input type="checkbox"/> N Nickel					
5							
6							

Contact info: \_\_\_\_\_

Company \_\_\_\_\_

Add: \_\_\_\_\_

City \_\_\_\_\_ St \_\_\_\_\_ zip \_\_\_\_\_

Tel: \_\_\_\_\_ - \_\_\_\_\_ Fax: \_\_\_\_\_ - \_\_\_\_\_

Email: \_\_\_\_\_

**Custom made products** are constructed with the specifications requested. Baton warrants that the product will be functioning according to all the specifications and operating parameters of our original product line. No guarantee exists on product functions within specifications of others' make. \*\*\*\* **Deposit required for custom made items, no-return and no-refund \*\*\*\***.

Lead time : \_\_\_\_\_ working days